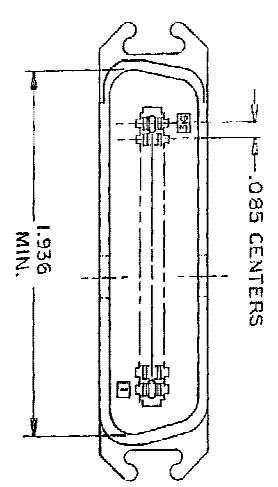
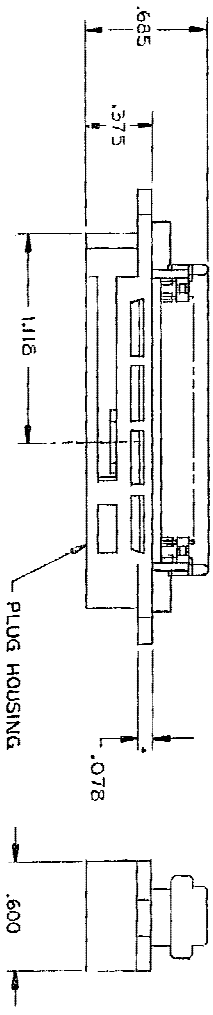
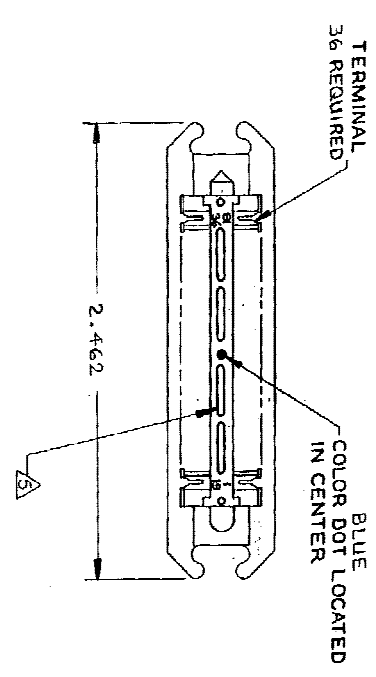


REVOLUTIONS		DATE	BY
GP	00	20/NOV/08	ZR/VM
L		REVISED PER EOP-06-000233	



1. THE CONTACT SURFACES OF THE TERMINALS ARE COATED WITH LUBRICANT.
  2. ALL DIMENSIONS SHOWN ARE FOR REFERENCE ONLY UNLESS OTHERWISE SPECIFIED.
- MATERIAL:**  
 HOUSING - THERMOPLASTIC (BLACK)  
 TERMINALS: - HIGH STRENGTH COPPER ALLOY PLATED WITH .000030 MIN GOLD OR GOLD FLASH OVER .000030 MIN PALLADIUM NICKEL ON CONTACT MATING SURFACE. .000050 MIN NICKEL UNDERPLATE OVER ENTIRE TERMINAL.
4. WIRE SIZE: 24 & 26 AWG SOLID & 24 AWG 7 STRANDS OF COPPER CONDUCTORS. MAX INSULATION DIAMETER OF .045 IS ACCEPTABLE FOR MOST APPLICATIONS.
- NOTE:** CORING MAY OR MAY NOT APPEAR AND IS AT THE DISCRETION OF TYCO ELECTRONICS.

DIMENSIONS		TOLERANCES		FINISHES	
INCHES	MILLIMETERS	FRACTIONS	DECIMALS	ANODIZING	PLATING
0	0	1/16	0.005	TYPE II	CAD
1/16	0.031	1/32	0.002	TYPE II	CAD
1/32	0.015	1/64	0.001	TYPE II	CAD
1/64	0.007	1/128	0.0005	TYPE II	CAD
0.001	0.0005	0.0001	0.00005	TYPE II	CAD

552274-1 PART NO

1 of 1

552274

REV L

DATE

BY

20/NOV/08

ZR/VM

REVISED PER EOP-06-000233

GP 00

DATE

20/NOV/08

BY

ZR/VM

REVISED PER EOP-06-000233

GP 00

DATE

20/NOV/08

BY

ZR/VM

REVISED PER EOP-06-000233

GP 00

DATE

20/NOV/08

BY

ZR/VM

REVISED PER EOP-06-000233

GP 00

DATE

20/NOV/08

BY

ZR/VM

REVISED PER EOP-06-000233

GP 00

DATE

20/NOV/08

BY

ZR/VM

REVISED PER EOP-06-000233

GP 00

DATE

20/NOV/08

BY

ZR/VM

REVISED PER EOP-06-000233

GP 00

DATE

20/NOV/08

BY

ZR/VM

REVISED PER EOP-06-000233

GP 00

DATE

20/NOV/08

BY

ZR/VM

REVISED PER EOP-06-000233

GP 00

DATE

20/NOV/08

BY

ZR/VM

REVISED PER EOP-06-000233

GP 00

DATE

20/NOV/08

BY

ZR/VM

REVISED PER EOP-06-000233

GP 00

DATE

20/NOV/08

BY

ZR/VM

REVISED PER EOP-06-000233

GP 00

DATE

20/NOV/08

BY

ZR/VM

REVISED PER EOP-06-000233

GP 00

DATE

20/NOV/08

BY

ZR/VM

REVISED PER EOP-06-000233

GP 00

DATE

20/NOV/08

BY

ZR/VM

REVISED PER EOP-06-000233

GP 00

DATE

20/NOV/08

BY

ZR/VM

REVISED PER EOP-06-000233

GP 00

DATE

20/NOV/08

BY

ZR/VM

REVISED PER EOP-06-000233

GP 00

DATE

20/NOV/08

BY

ZR/VM

REVISED PER EOP-06-000233

GP 00

DATE

20/NOV/08

BY

ZR/VM

REVISED PER EOP-06-000233

GP 00

DATE

20/NOV/08

BY

ZR/VM

REVISED PER EOP-06-000233

GP 00

DATE

20/NOV/08

BY

ZR/VM

REVISED PER EOP-06-000233

GP 00

DATE

20/NOV/08

BY

ZR/VM

REVISED PER EOP-06-000233

GP 00

DATE

20/NOV/08

BY

ZR/VM

REVISED PER EOP-06-000233

GP 00

DATE

20/NOV/08

BY

ZR/VM

REVISED PER EOP-06-000233

GP 00

DATE

20/NOV/08

BY

ZR/VM

REVISED PER EOP-06-000233

GP 00

DATE

20/NOV/08

BY

ZR/VM

REVISED PER EOP-06-000233

GP 00

DATE

20/NOV/08

BY

ZR/VM

REVISED PER EOP-06-000233

GP 00

DATE

20/NOV/08

BY

ZR/VM

REVISED PER EOP-06-000233

GP 00

DATE

20/NOV/08

BY

ZR/VM

REVISED PER EOP-06-000233

GP 00

DATE

20/NOV/08

BY

ZR/VM

REVISED PER EOP-06-000233

GP 00

DATE

20/NOV/08

BY

ZR/VM

REVISED PER EOP-06-000233

GP 00

DATE

20/NOV/08

BY

ZR/VM

REVISED PER EOP-06-000233

GP 00

DATE

20/NOV/08

BY

ZR/VM

REVISED PER EOP-06-000233

GP 00

DATE

20/NOV/08

BY

ZR/VM

REVISED PER EOP-06-000233

GP 00

DATE

20/NOV/08

BY

ZR/VM

REVISED PER EOP-06-000233

GP 00

DATE

20/NOV/08

BY

ZR/VM

REVISED PER EOP-06-000233

GP 00

DATE

20/NOV/08

BY

ZR/VM

REVISED PER EOP-06-000233

GP 00

DATE

20/NOV/08

BY

ZR/VM

REVISED PER EOP-06-000233

GP 00

DATE

20/NOV/08

BY

ZR/VM

REVISED PER EOP-06-000233

GP 00

DATE

20/NOV/08

BY

ZR/VM

REVISED PER EOP-06-000233

GP 00

DATE

20/NOV/08

BY

ZR/VM

REVISED PER EOP-06-000233

GP 00

DATE

20/NOV/08

BY

ZR/VM

REVISED PER EOP-06-000233

GP 00

DATE

20/NOV/08

BY

ZR/VM

REVISED PER EOP-06-000233

GP 00

DATE

20/NOV/08

BY

</